

## 200 Compact Rotary Latch

### Features

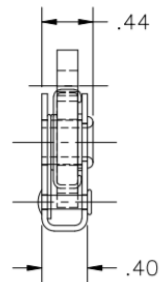
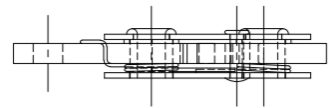
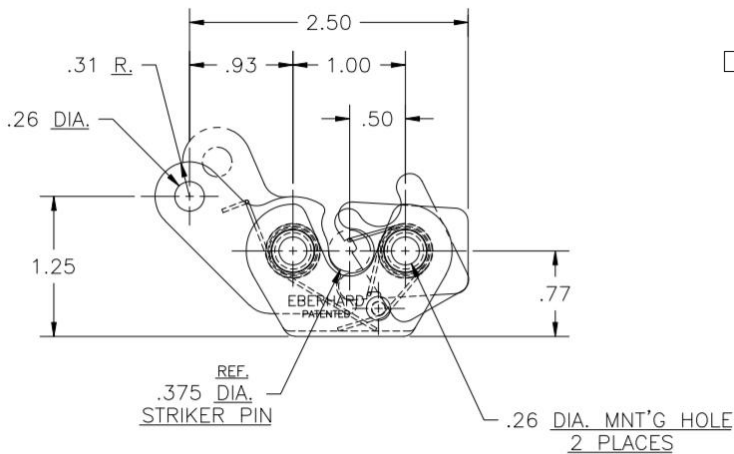
- This compact rotary latch is recommended for small hoods, lids, doors and panels
- Standard part comes with a zinc-plated housing and Everlube latch pawls for lubricity and corrosion protection
- To mount, use two 1/4" bolts
- Rated to a maximum load of 100 lbs
- Can be used with any 3/8" dia. striker

### Material

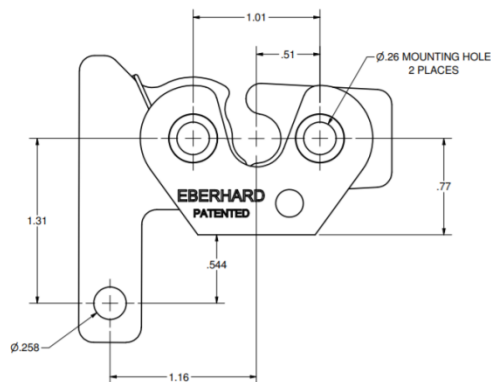
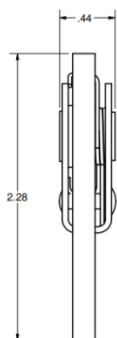
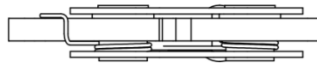
- Steel, zinc plated or stainless steel housing

### Notes

- Striker sold separately



Part No.	Housing Material
200-64	Steel, zinc plated
200-SS	Stainless steel



Part No.	Housing Material
2-200	Steel, zinc plated

Dimensions in inches



We are Eberhard's exclusive distributor